



YE SERIES ATHENS

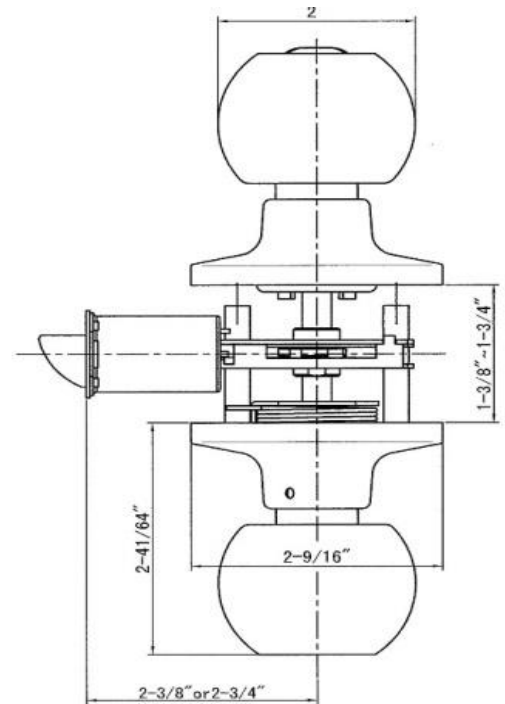


Standard Specifications:

| | |
|-----------------------|---|
| Door Prep | Cross bore: 2-1/8" Edge Bore: 1" Latch face: 1" x 2-1/4" RC |
| Door Thickness | 1-3/8" to 1-3/4" doors |
| Latch | |
| Std product | Tubular 2-3/8" and 2-3/4" RC adjustable Tubular Drive-in latch available |
| ADA product | Cylindrical 2-3/8" and 2-3/4" RC adjustable |
| Strike | 1-3/4" x 2-1/4" Radius Corner Full lip strike |
| Door Handing | Reversible Levers |
| Cylinder | 5 Pin KW-1 Compatible |
| Keying | KA5 std; other options available |

Features

- Meets or exceeds Grade 3 standards
- Std latch/strike screw is combination wood/metal screw



Dimensions:

| | |
|--|---|
| | <p>A = 2-9/16"</p> <p>B = 2-41/64"</p> <p>C = 2"</p> |
|--|---|

| Model | Function | CTN QTY | ItemNumber | | |
|-------|----------|---------|-------------------|-------------------|--------------|
| | | | Oil Rubbed Bronze | Brushed Stainless | Bright Brass |
| AT80 | Dummy | 30 | ATD10BP | ATD32D | ATD3 |
| AT70 | Entry | 30 | ATE10BP6 | ATE32D6 | ATE36 |
| AT20 | Privacy | 30 | ATPR10BP | ATPR32D | ATPR3 |
| AT10 | Passage | 30 | ATPA10BP | ATPA32D | ATPA3 |