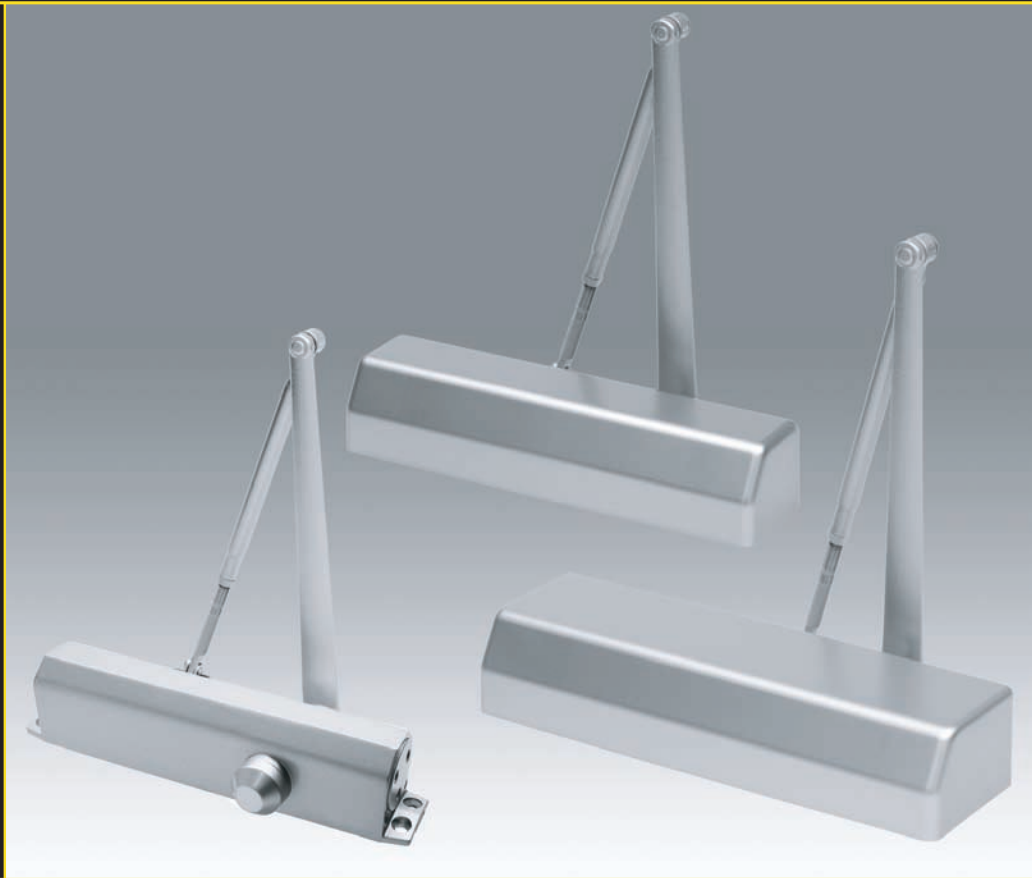


STANLEY[®]

Security Solutions



DOOR CLOSERS

PRODUCT INTRODUCTION

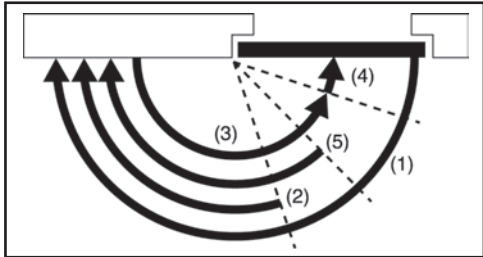
STANLEY[®]

TABLE OF CONTENTS		Page	Page
Door Closer Introduction	2	D-1650/D-1651 General Information	6
Door Closer Features	3	D-1650/D-1651 Applications.....	6
D-4550/D-4551 General Information	4	D-4550/D-4551 How to Order	7
D-4550/D-4551 Applications.....	4	D-3550/D-3551 How to Order	7
D-3550/D-3551 General Information	5	D-1650/D-1651 How to Order	7
D-3550/D-3551 Applications.....	5		

DOOR CLOSER INTRODUCTION

D-4550/D-4551 Stanley Door Closer

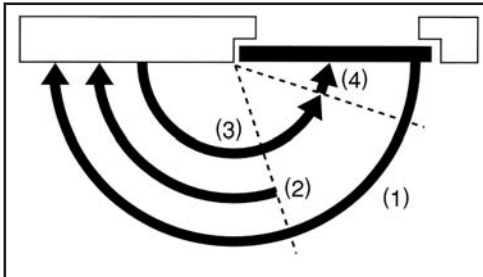
The model D4550 Series is Stanley's best performing Heavy Duty Closer. The cylinder body is manufactured using R-14 Silicon Aluminum Alloy providing superior strength and durability on institutional applications. Available in a variety of standard and heavy-duty arm configurations accommodating a broader range of today's growing architectural application requirements.



- (1) opening swing, no checking
- (2) backcheck
- (3) general speed
- (4) latch speed
- (5) advanced variable backcheck

D-3550/D-3551 Stanley Door Closer

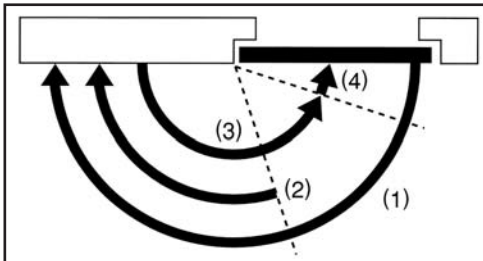
The model D3550 Series is Stanley's most versatile Door Closer. The reduced body profile provides ease of installation on a variety of applications. In addition the R-14 Silicon Aluminum construction provides dependable performance under heavy loads associated with high use institutional applications. The D3550 Closer accommodates a variety of standard and heavy-duty arm applications.



- (1) opening swing, no checking
- (2) backcheck
- (3) general speed
- (4) latch speed

D-1650/D-1651 Stanley Door Closer

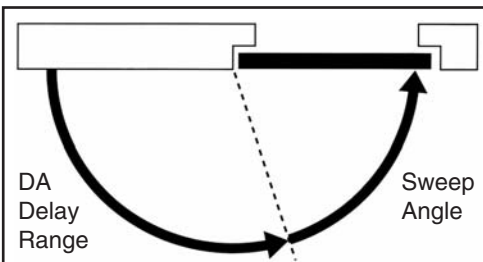
The D-1650 Series is Stanley's economical grade closer accommodating the standard aluminum storefront installation footprint. The D-1650 is packaged with a tri-pack arm arrangement providing universal mounting capabilities.



- (1) opening swing, no checking
- (2) backcheck
- (3) general speed
- (4) latch speed

Delayed Action - Optional

The D-4550DA / D-4551DA and D-3550DA / D-3551DA Series Door Closers are equipped with a separate hydraulic valve adjustment to delay the closing speed from 180 to 70 degrees of door opening range.



Fully Hydraulic Checking

Controls the door through the entire opening and closing cycles by providing adjustable backcheck upon opening and adjusting general and latch speeds through the closing cycle.

Adjustable Spring Power

The **D-4550/D-4551** Series Door Closers are designed to have the widest range of spring power adjustment available to meet the broadest range of application requirements.

The **D-3550** Series Door Closers are adjustable from size 2 through 6 with 15% adjustment over size 6. The **D-3551** Series Door Closers are adjustable from size 1 through 4. The **D-3551** Series Door Closers are designed to meet entrance accessibility requirements of 5 LBF opening force or less.

The **D-1650** Series Door Closers are adjustable from size 2 through 5 (3 lbf – 11 lbf closing force measured at 30" from the door pivot). The **D-1651** Series Door Closers are adjustable from size 1 through 4 (2 lbf – 8 lbf closing force measured at 30" from the door pivot). The **D-1651** Series Door Closers are designed to meet entrance accessibility requirements of 5 lbf force or less.

Non-Handed

Can be used on both RH and LH doors for both push side and pull side mounting.

All Season Fluid

All season fluid eliminates the need for seasonal adjustment. **All series.**

Non-Critical Regulation

The separate adjustments for backcheck, general and latch speeds are equipped with non-critical "V-Slot" regulating valves which allow for fine tuning the closing and latching speeds as well as the backcheck intensity. **All series.**

Maintenance Free

Door Closers mounted in accordance with the provided installation instructions are maintenance free from periodic inspection and adjustment. **All series.**

Special High Silicon Aluminum Alloy Housing

All **D-4550/D-4551** & **D-3550/D-3551** Series Door Closers are constructed of STANLEY'S R14 HIGH SILICON ALUMINUM ALLOY.

Forged Arms

Heavy duty forged arms are interchangeable between the **D-4550** and **D-3550** Series Door Closers only.

High Impact Cover

All **D-4550 / D-4551** and **D-3550/D-3551** Series Door Closers are shipped with a high impact self-extinguishing decorative cover. *Optional* - High impact self-extinguishing decorative cover is available on all Stanley **D-1650 / D-1651** Series Door Closer.

Metal Cover - optional

An optional stainless steel, brushed finish metal cover is available. **D-4550/D-4551 series only.**

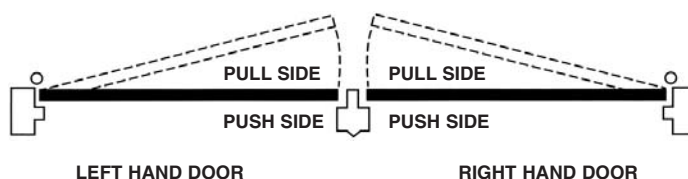
Special Rust Inhibitor (SRI) - optional

For installations where a higher level of corrosive resistance is required. **D-4550/D-4551 & D-3550/D-3551 series only.**

Advanced Variable Backcheck (AVB) - optional

Cylinder starts backcheck at approximately 45° instead of the normal 75°. Add suffix "AVB" to selected cylinder. When combined with Delayed Action consult factory for special template. (Heavy Duty Arm applications). **D-4550/D-4551 series only.**

Handing



D-4550/D-4551 GENERAL INFORMATION

Closing Power Adjustment

D-4550* – Size 2 – 6 with 50% with spring power adjustment over size 6.

***Meets ADA 5lb opening force requirements on all applications except Pull-Side Regular Arm Mount.**

The D-4550 Series is adjusted to size 3 before leaving the factory.

D-4551** – Size 1 – 5 with 35% spring power adjustment over size 5.

****Meets ADA 5lb opening force requirements.**

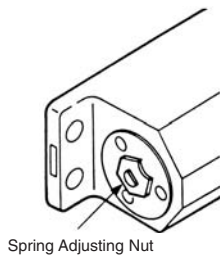
The D-4551 Series is adjusted to size 2 before leaving the factory.

Latching Power Adjustment

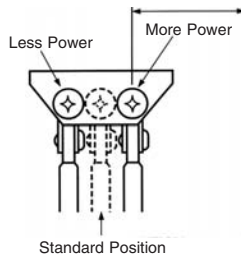
The D-4550 / D-4551 Series Door Closers have the provision to adjust the leverage of the arms by changing the pivot position of the arm in the shoe. The shoe itself does not have to be removed from the door or jamb.

Delayed Action

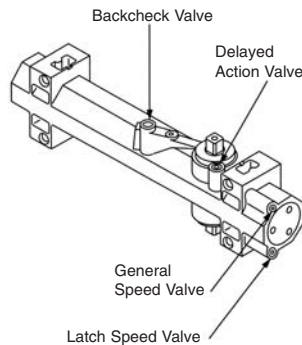
A delayed action feature is available with this series for all applications and arms. The feature permits the door to close very slowly through the delayed action cycle range. To order add suffix DA to closer number.



Spring Adjusting Nut



Standard Position



Latch Speed Valve

Packing

All D-4550 / D-4551 Series Door Closers with standard arm sets are packed for mounting on standard, parallel arm or top jamb applications. All closer assemblies are packed 4 per carton. Tracks for track mounted closers are packed separately.

Through Bolts and Sex Nuts

When through bolting is ordered, factory will furnish sex nuts for use with the machine screws furnished with the closer. Nuts are sized to accommodate 1-3/8" or 1-3/4" thick doors.

ANSI and U.L. Specifications

The D-4550/D-4551 Series Door Closers have been Certified to the requirements of the ANSI/BHMA Standard A156.4-2000 Grade 1.

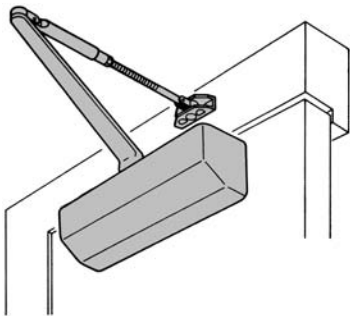


UL listed with Underwriters' Laboratories, Inc. and Underwriters' Laboratories of Canada for "Self Closing Doors Without Hold-Open Feature". (File number 7525R).

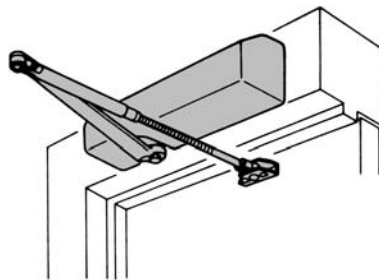
UL10C – UBC 7.2

D-4550/D-4550 closers have been tested and certified to meet the positive pressure criterion of UL10C & UBC 7.2 (1997)

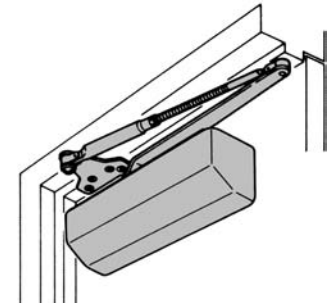
D-4550/D-4551 APPLICATIONS



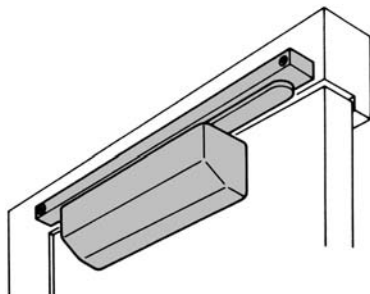
**D-4550 REG
D-4550H REG
Regular Arm**



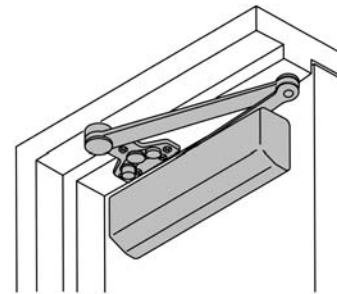
**D-4550 TJ
D-4550H TJ
Top Jamb**



**D-4550 PA
D-4550H PH
Parallel Arm**



**D-4550 T
D-4550HT
Track**



**D-4550 EDA
D-4550H EDA
Heavy Duty Arm**

**D-4550 S
D-4550H HS
Heavy Duty Arm & Stop**

**D-4550 CS
D-4550H HCS
Heavy Duty Arm & Compression Stop**

For detail information please refer to Stanley Door Closer D-4550/D-4551 catalog.

D-3550/D-3551 GENERAL INFORMATION

Closing Power Adjustment

D-3550 – Size 2 – 6 with 15% adjustment over size 6. The D-3550 Series is adjusted to size 3 before leaving the factory.

D-3551 – Size 1 – 4 with 15% adjustment over size 4. The D-3551 Series Door Closer is specially designed for doors where the door opening forces shall be 5 LBS or less through 90°. The D-3551 Door Closer is adjustable up to a size 4.

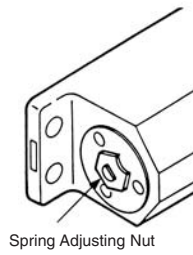
The D-3551 Series is adjusted to size 2 before leaving the factory.

Latching Power Adjustment

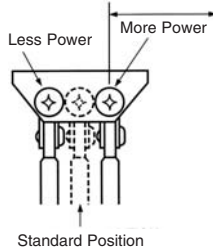
The D-3550 / D-3551 Series Door Closers have the provision to adjust the leverage of the arms by changing the pivot position of the arm in the shoe. The shoe itself does not have to be removed from the door or jamb.

Delayed Action

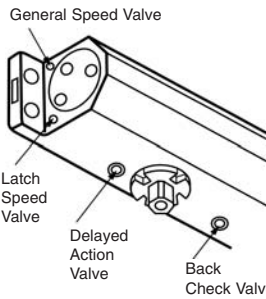
A delayed action feature is available with this series for all applications and arms. The feature permits the door to close very slowly through the delayed action cycle range. To order add suffix DA to closer number.



Spring Adjusting Nut



Standard Position



General Speed Valve

Latch Speed Valve

Delayed Action Valve

Back Check Valve

Packing

All D-3550 / D-3551 Series Door Closers with standard arm sets are packed for mounting on standard, parallel arm or top jamb applications. All closer assemblies are packed 4 per carton. Tracks for track mounted closers are packed separately.

Through Bolts and Sex Nuts

When through bolting is ordered, factory will furnish sex nuts for use with the machine screws furnished with the closer. Nuts are sized to accommodate 1-3/8" or 1-3/4" thick doors.

ANSI and U.L. Specifications

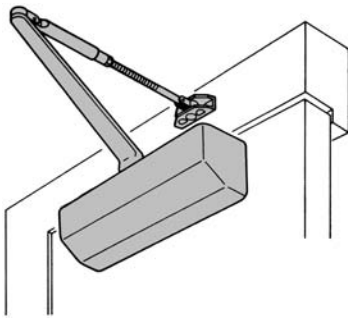
The D-3550/D-3551 Series Door Closers have been Certified to the requirements of the ANSI/BHMA Standard A156.4 - 2000 Grade 1.



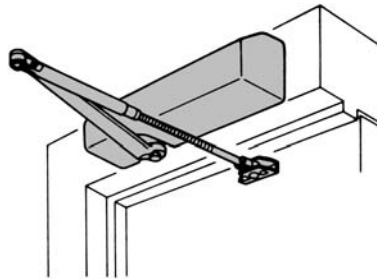
Listed with Underwriters' Laboratories, Inc. and Underwriters' Laboratories of Canada. "For Self-Closing Doors Without Hold-Open Feature" on R7525(R).

D-3550 / D-3551 Series Door Closers have been certified by UL to be in compliance with UL 10 C and UBC 7.2 (1997).

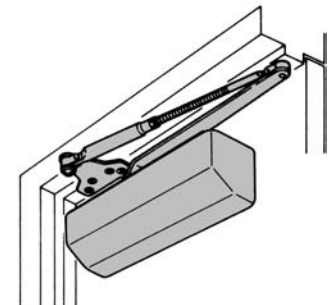
D-3550/D-3551 APPLICATIONS



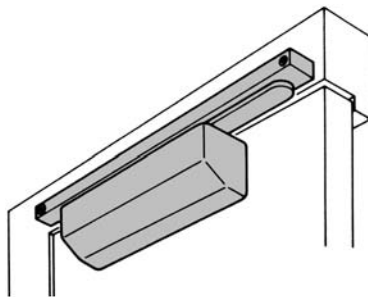
D-3550 REG
D-3550H REG
Regular Arm



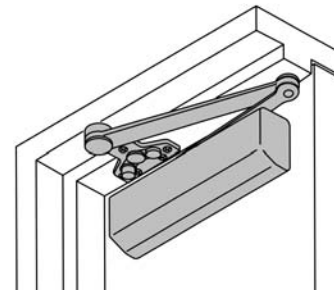
D-3550 TJ
D-3550H TJ
Top Jamb



D-3550 PA
D-3550H PH
Parallel Arm



D-3550 T
D-3550HT
D-3550 TCS
Track



D-3550 EDA
D-3550H EDA
Heavy Duty Arm

D-3550 S
D-3550H HS
Heavy Duty Arm & Stop

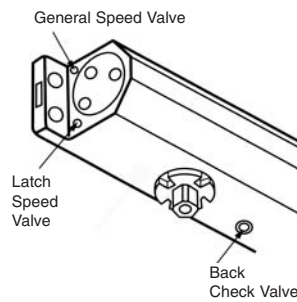
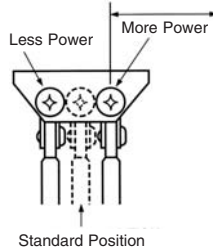
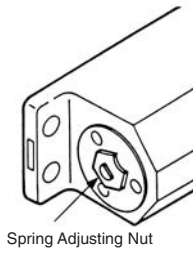
D-3550 CS
D-3550H HCS
Heavy Duty Arm & Compression Stop

For detail information please refer to Stanley Door Closer D-3550/D-3551 catalog.

D-1650/D-1651 GENERAL INFORMATION

Closing Power Adjustment

The D-1650 / D-1651 Series Door Closers have the provision to adjust the leverage of the arms by changing the pivot position of the arm in the foot; thus the closing force at the latch can be increased or decreased.



Packing

All D-1650 / D-1651 Series Door Closers with standard arm sets are packed for mounting on standard, parallel arm or top jamb applications. All closer assemblies are packed 10 per carton. Tracks for track mounted closers are packed separately.

Through Bolts and Sex Nuts

When through bolting is ordered, factory will furnish sex nuts for use with the machine screws furnished with the closer. Nuts are sized to accommodate 1-3/8" or 1-3/4" thick doors.

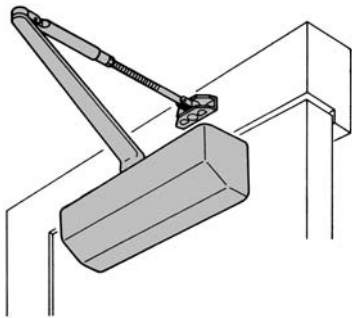
ANSI and U.L. Specifications

The D-1650/D-1651 Series Door Closers have been Certified to the requirements of the ANSI/BHMA Standard A156.4 - 2000 Grade 1.

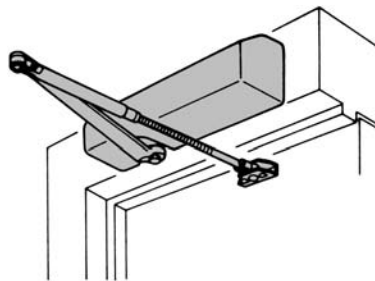


Listed with Underwriters' Laboratories, Inc. and Underwriters' Laboratories of Canada. "For Self-Closing Doors Without Hold-Open Feature" on R7525(R).

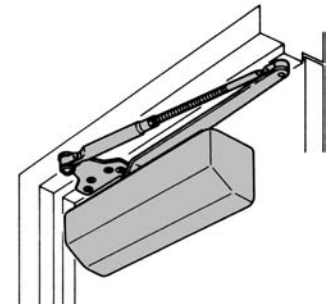
D-1650/D-1651 APPLICATIONS



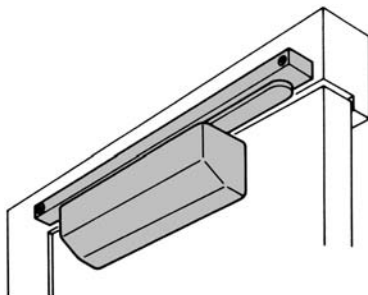
D-1650 REG
D-1650H REG
Regular Arm
D-1650FC Optional Full Cover



D-1650 TJ
D-1650H TJ
Top Jamb



D-1650 PA
D-1650H PH
Parallel Arm



D-1650 T D-1650 TCS
D-1650HT Track

For detail information please refer to Stanley Door Closer D-1650/D-1651 catalog.

HOW TO ORDER D-4550/D-4551

D-455	0	DA	EDA	689	SN
Model No.	Size	Options	Arm Type	Finishes	Fasteners
D-455	0 – See Closing Power Adjustment page 4 1 – See Closing Power Adjustment page 4	AVB – advanced variable backcheck (optional) DA – Delayed Action (optional) MC – Metal Cover (optional)	L – Long Rod Forearm (TJ only) H – Standard Hold Open PH – Parallel Hold Open EDA – Heavy Duty Arm H-EDA – Heavy Duty Arm w/ Hold Open S – Heavy Duty Arm w/ Stop CS – Heavy Duty Arm w/ Compression Stop HS – Heavy Duty Arm w/ Hold Open & Stop HCS – Heavy Duty Arm w/ Hold Open & Comp. Stop T – Track Mount HT – Track Mount w/ Hold Open TCS – Track Compression Stop	689 690 691 693 695 696	SN – Sex Nuts & Bolts Wood & Machine Screws furnished standard SEC – Security Screws

HOW TO ORDER D-3550/D-3551

D-355	0	DA	EDA	689	SN
Model No.	Size	Options	Arm Type	Finishes	Fasteners
D-355	0 – See Closing Power Adjustment page 5 1 – See Closing Power Adjustment page 5	DA – Delayed Action (optional)	L – Long Rod Forearm (TJ only) H – Standard Hold Open PH – Parallel Hold Open EDA – Heavy Duty Arm H-EDA – Heavy Duty Arm w/ Hold Open S – Heavy Duty Arm w/ Stop CS – Heavy Duty Arm w/ Compression Stop HS – Heavy Duty Arm w/ Hold Open & Stop HCS – Heavy Duty Arm w/ Hold Open & Comp. Stop T – Track Mount HT – Track Mount w/ Hold Open TCS – Track Compression Stop	689 690 691 693 695 696	SN – Sex Nuts & Bolts Wood & Machine Screws furnished standard SEC – Security Screws

HOW TO ORDER D-1650/D-1651

D-165	0	PH	689	SN
Model No.	Size	Arm Type	Finishes	Fasteners
D-165	0 – size 2-5 1 – size 1-4	L – Long Rod Forearm (TJ only) H – Standard Hold Open PH – Parallel Hold Open T – Track Mount HT – Track Mount w/ Hold Open	689 690 691 693 695 696	SN – Sex Nuts & Bolts Wood & Machine Screws furnished standard SEC – Security Screws

D-4550/D-4551

D-3550/D-3551

D-1650/D-1651

Product information contained in this catalog has been compiled and presented with as much care and completeness as is reasonably possible. Errors or mistakes may be present, and in many cases, reliance has been placed on information supplied by other manufacturers which may be in error or which may be subject to changes or modifications by the manufacturer without notice and without obligation. Therefore, no guarantee can be made or should be assumed or implied with regards to product information contained in this catalog.

Product Warranty – Stanley Security Solutions warrants that all of its products sold under its trade name "Stanley" are free of defects in materials, workmanship and operation, normal wear and tear excepted, for a period of **ten years** from the date of sale to the original purchaser.

Concerning Proper Installation: Installation instructions for any Stanley product should be carefully followed for proper operation of the installed product. If improperly installed, malfunction of the product may result.



Security Solutions

Stanley Security Solutions, Inc.

6161 E. 75th Street Indianapolis, Indiana 46250
www.stanleysecuritysolutions.com

10M 207FP
SDC011 Litho USA