



YE SERIES SINCLAIR



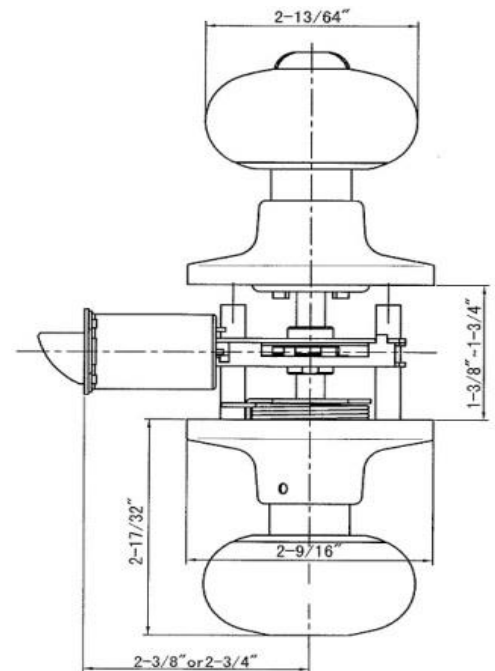
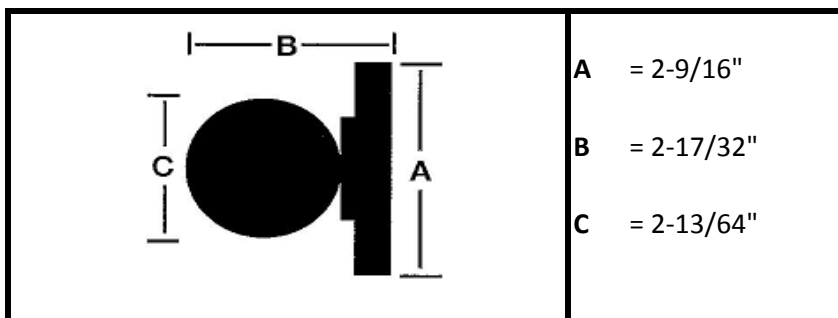
Standard Specifications:

Door Prep	Cross bore: 2-1/8" Edge Bore: 1" Latch face: 1" x 2-1/4" RC
Door Thickness	1-3/8" to 1-3/4" doors
Latch Std product	Tubular 2-3/8" and 2-3/4" RC adjustable Tubular Drive-in latch available
Strike	1-3/4" x 2-1/4" Radius Corner Full lip strike
Door Handing	Reversible Levers
Cylinder	5 Pin KW-1 Compatible
Keying	KA5 std; other options available

Features

- Meets or exceeds Grade 3 standards
- Std latch/strike screw is combination wood/metal screw

Dimensions:



Model	Function	CTN QTY	ItemNumber		
			Oil Rubbed Bronze	Satin Nickel	Bright Brass
SN80	Dummy	30	SND10BP	SND15	Not Available
SN70	Entry	30	SNE10BP6	SNE156	Not Available
SN20	Privacy	30	SNPR10BP	SNPR15	Not Available
SN10	Passage	30	SNPA10BP	SNPA15	Not Available