

PANIC FREE INSTANT EXIT CONTROL

Codelocks New CL·ED Series Exit Device¹
available in 2 sizes, to accommodate up to 36" doors
and up to 48" doors.

ANSI Grade 1 Stainless Steel Rim Exit Device
designed to work with Codelocks CL460PK, CL600PK,
CL5000PK Panic Device Kits ANSI Grade 1



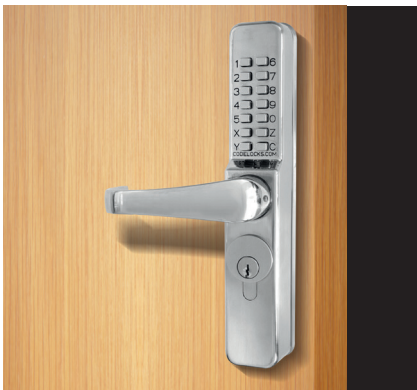
CL·ED

BENEFITS

- Multiple mounting holes for easy retrofit of major brands panic devices
- Multiple opportunities for new hole locations for strong anchoring to door
- Control and device from single source
- Competitively priced

FEATURES

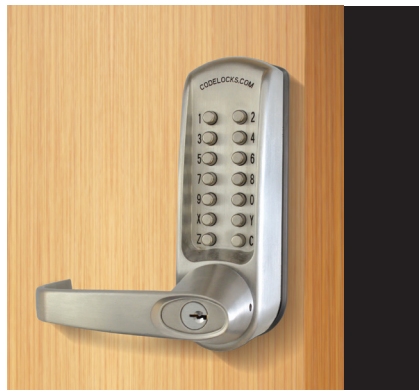
- Great for New Installation or Retrofit
- Use with Codelocks Mechanical CL460PK/CL600PK
- Use with Codelocks Electronic CL5000PK
- ED-series Rim Style Exit Device
- ANSI Grade 1
- Non-fire rated
- Stainless Steel
- CL·ED-R-36-32D for door width up to 36"
- CL·ED-R-48-32D for door width up to 48"
- Universal mounting - fits Codelocks CL·ED Series and retrofits most major brands
- Unique mounting plate to retrofit
- Fasteners included for wood and hollow metal doors
- Filler plates included (door edge filler, frame filler)
- Alarm kit optional



CL460 PANIC EXIT KIT

Medium duty narrow stile mechanical lock for aluminium doors:

- Ideal for new or retrofit applications
- Over 8000 non-sequential code options
- Retrofit most US standard and narrow stile rim exit devices as exterior control trim
- Retrofit most US style rim exit devices



CL600 PANIC EXIT KIT

Heavy duty coded mechanical lock:

- Quick code change in seconds
- Over 8000 non-sequential codes available
- Front cylinder change 6-pin supplied Schlage C screw cap type cylinder
- Also available prepped for SFIC
- Retrofit most US style rim exit devices



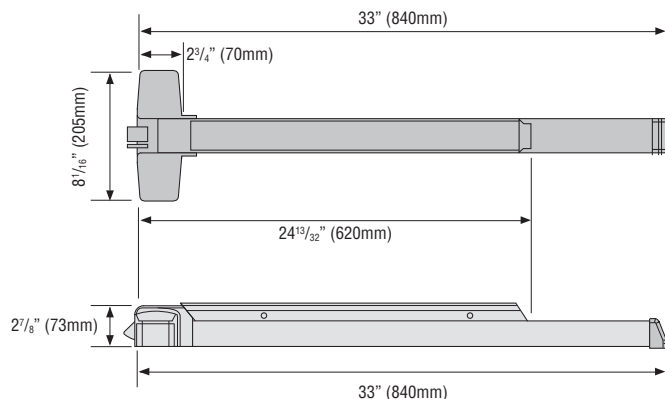
CL5000 PANIC EXIT KIT

Heavy duty coded electronic lock:

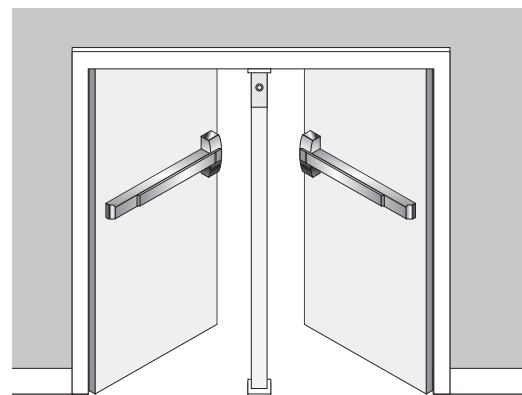
- Ideal for high traffic applications
- Up to 80 User Codes
- On Door Programming
- Over 200,000 operations
- Tamper Time Out
- Low battery warning
- Code Free Entry
- Front cylinder change 6-pin supplied Schlage C screw cap type cylinder
- Also available prepped for SFIC
- Retrofit most US style rim exit devices

CL·ED AUDIO ALARM KIT

The alarm kit has an internal horn that will sound once the push bar has been depressed, thus signalling the door has been opened. The alarm is powered by a 9 volt battery. The device incorporates a keyway mortise cylinder to operate the shut off switch.



DOUBLE DOOR APPLICATION



If double doors are being fitted with CL·ED Rim devices, then a removable central mullion is required.