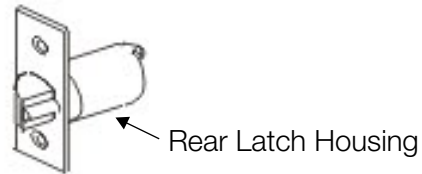
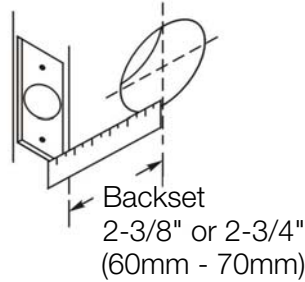


Select Proper Backset

For use on doors 1-3/8" to 1-3/4" (35mm - 45mm)

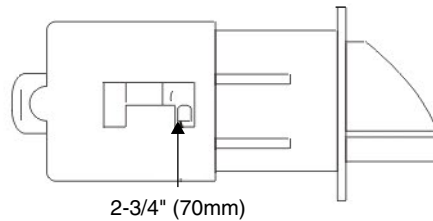
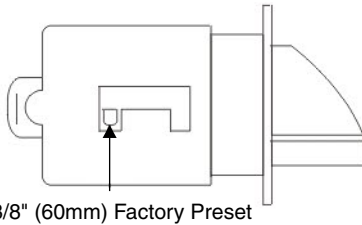
Backset is distance from door edge to center of hole on door face.



To adjust backset from 2-3/8" to 2-3/4"

Twist rear latch housing.

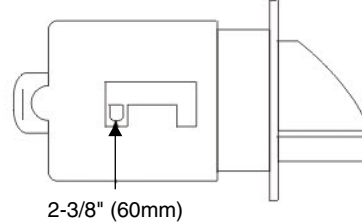
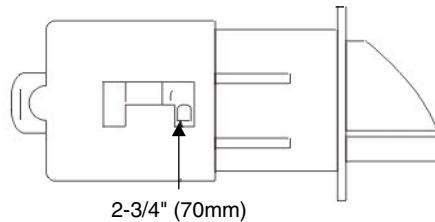
Slide housing back to click into groove.



To adjust backset from 2-3/4" to 2-3/8"

Twist rear latch housing.

Slide housing back to click into groove.



Template

1 FOLD HERE

1-3/4" (45mm)
THICK DOOR

4
MARK

2-3/4" (70mm) BACKSET

5

DRILL
2-1/8" (54mm)
HOLE

2
MARK
PROPER
DOOR
THICKNESS

3
DRILL 1" (25mm)
HOLE IN EDGE OF DOOR
2" (51mm) DEEP

NOTE:
TEMPLATE MUST
BE PLACED ON
HIGH EDGE OF
DOOR BEVEL



CAUTION:
If printed from
website print 1:1
scale. Measure
dimensions for
accuracy before use.

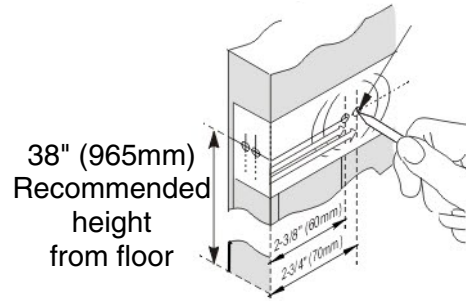
1

Mark Door



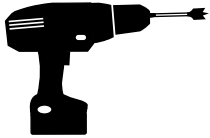
Fold and apply template to high edge of door bevel and mark center of door edge as indicated on template at desired height from floor.

Mark center hole on door face through guide on template for either 2-3/8" (60mm) or 2-3/4" (70mm) backset.



2

Drill Holes

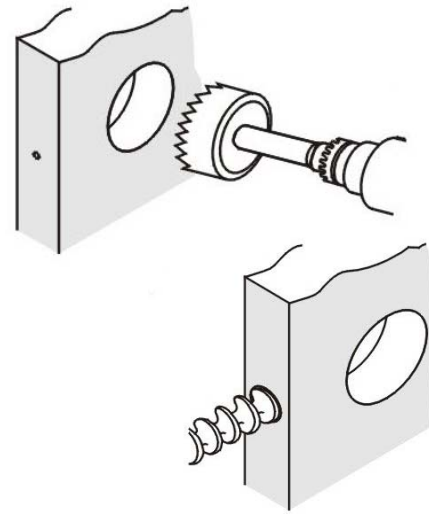


Drill through door face as marked for lockset.

Note: Drill holes from both sides to prevent splitting.

Hole size is 2-1/8" (54mm) for standard installations.

Drill 1" (25mm) hole in center of door edge through to 2-1/8" (54mm) hole for latch.



3

Install Latch



Insert latch in hole keeping it parallel to face of door.

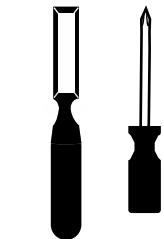
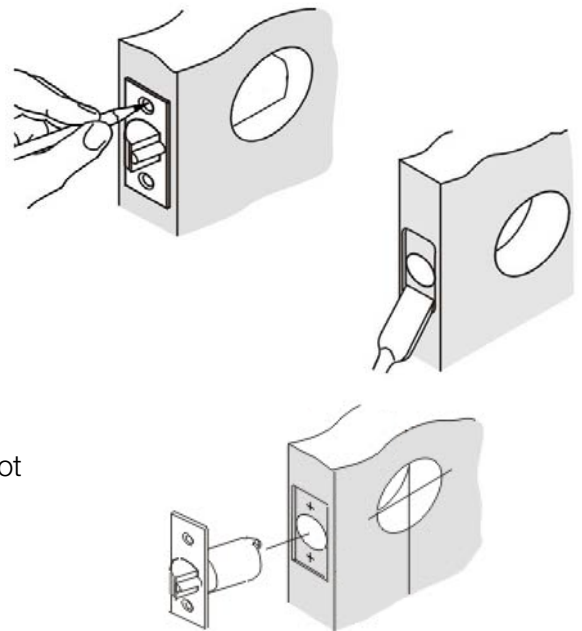
Mark outline and remove latch.

Chisel 5/32" (4mm) deep or until latch face is flush with door edge.

Insert latch in hole keeping it parallel to face of door.

Mark two (2) fastener holes, remove latch and drill pilot holes with 1/16" (1.6mm) drill bit.

Using provided screws, install latch.



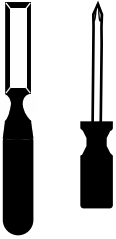
4

Install Strike

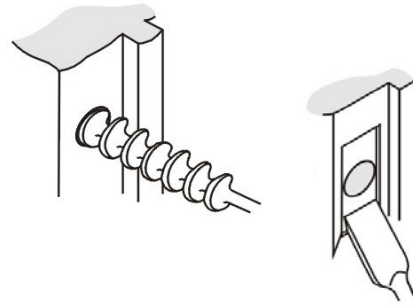
Locate strike to align with latch in door.



Mark outline of strike and bolt hole.

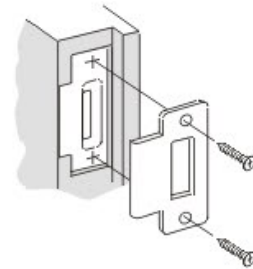


Bore 1" (25mm) hole 1" (25mm) minimum deep into frame.



Mortise 1/16" (1.6mm) deep.

Using provided screws, install strike.



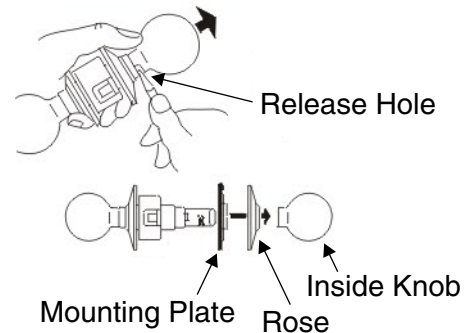
5

Remove Inside Trim To Adjust Lock If Necessary



To remove inside knob, insert supplied spring tool into release hole on neck of knob and press down.

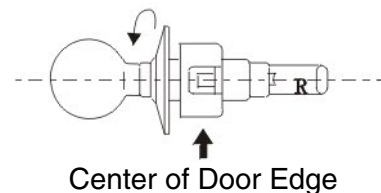
Remove rose and mounting plate.



6

Adjust Lock for Door Thickness If Necessary

With inside trim removed, lock can be adjusted for door thickness by turning outside escutcheon.



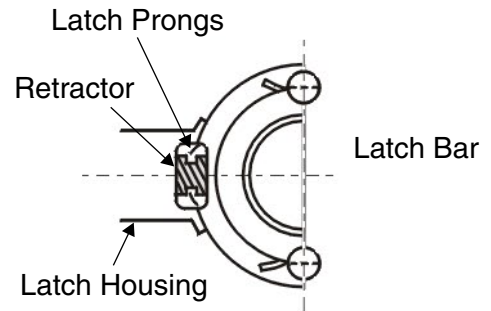
7

Install Lock

Insert lock through latch housing.

Make sure latch housing engages with latch prongs and retractor interlocks with latch bar.

Note: Backset latch prongs must be connected correctly for lock to function properly.



8

Install Inside Trim



Insert inside mounting plate onto lock spindle.

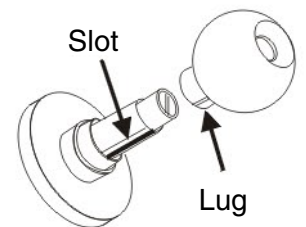
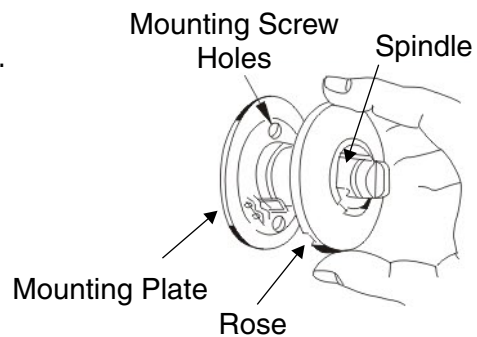
Fasten to lock with supplied machine screws and tighten.

Replace inside rose onto mounting plate by pressing firmly.

Replace knob by aligning lug on knob with narrow slot on spindle.

Push knob until retainer clicks.

Gently pull knob to make sure it is secure.

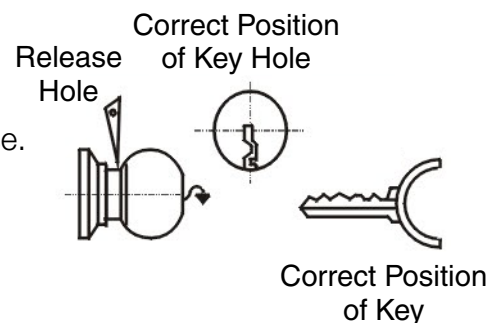


Change Lock Hand



Lock is set for right hand doors. To change:

1. Turn outside knob approximately 60° counter-clockwise.
2. Locate release hole in neck of knob.
3. Insert spring tool in hole and press.
4. Slide outside knob off.
5. Turn knob 180° and replace.



Yale Locks & Hardware

Product Support Tel 1-855-213-5841 • www.yalehome.com

Yale® and Yale Edge Series® are registered trademarks of Assa Abloy Residential Group. Other products' brand names may be trademarks or registered trademarks of their respective owners and are mentioned for reference purposes only.

© Copyright 2018. All rights reserved. Reproduction in whole or in part without the express written permission of Assa Abloy Residential Group is prohibited.