

GLYNN-JOHNSON®

510 and 550 Series

Heavy-duty adjustable overhead
door stop and holder



Protect the opening, stock less overheads, and sell more.

Commercial and institutional projects require investing in quality doors, frames, and door closers by limiting the force of door swing. With high traffic and abuse, extending the life of your opening with an overhead is the way to go. Typically overhead models come in different sizes and functions, making it complicated for customers to stock, specify or install.

The new Glynn-Johnson 510 and 550 Series heavy duty, adjustable overhead makes your investment not only smart, but simple. Simply stock one 510 or 550 and it is versatile enough to replace dozens of skus in inventory, making this the most comprehensive overhead available in the market today.

Key features

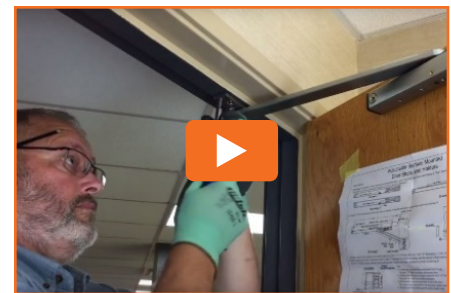
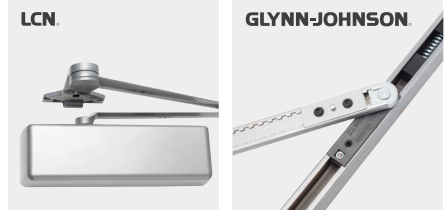
- Heavy duty for high traffic
- Concealed mount (510 Series)
- Surface mount (550 Series)
- Field adjustable to door width
- Easily adjust stop and hold open function
- Adjust to friction hold open with conversion kit
- Degree of opening is field adjustable from 85° - 110°
- Shock absorbing spring allows for less abrupt dead stop
- Perfect compliment to the LCN aluminum closer to protect your door frame

510/550 Series Specifications

Certifications	Grade 1- ANSI A156.8, UL listed for use on wood fire doors rated up to 90 minutes and metal doors rated up to 3 hours in stop-only applications
Functions	Field adjustable between stop and hold-open functions, option conversion kit for friction function available
Size adjustable	Field adjustable for door widths 24"-48"
Finishes	630/US32D Satin stainless steel 652/US26D Satin chrome over steel
Fasteners	Comes standard with sex bolts for 1 3/4" to 1 7/8" thick door
Handing	Non-handed
Options	<ul style="list-style-type: none"> ▪ 510-550 Friction Hold Open Conversion Kit (sold separately) ▪ 510 or 550 Mounting package ▪ AJK500* – Angle Jamb Bracket Kit ▪ SHK550 – Shim Kit for Blade Stop Mounting <p><small>* Angel Jamb Brackets affix to Standard Jamb Brackets to allow for flush transom or hinge side mounting</small></p>

Closer compatibility

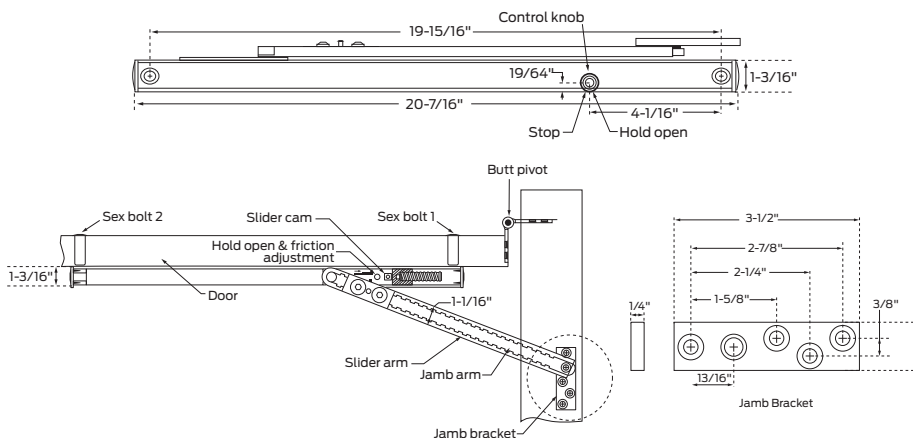
Overhead stops and holders are ideally used in conjunction with a closer. With Glynn-Johnson overheads and LCN closers, you can have peace of mind knowing high performance products are working to protect your door, hardware, and frame from abuse.



Installation instructions

The Glynn-Johnson 510 or 550 instruction sheets come with your order and are available on us.allegion.com for download. Better yet, watch our Glynn-Johnson install video for how to:

1. Adjust the slider arm for door opening width
2. Set the stop or hold functions
3. Measure and drill hole locations



Contact us at 877-671-7011 to consult with Technical Advisor with any questions.

Visit us at us.allegion.com for product information and additional resources.

Allegion, the Allegion logo, Glynn-Johnson, the Glynn-Johnson logo, LCN and the LCN logo are trademarks of Allegion plc, its subsidiaries and/or affiliates in the United States and other countries. All other trademarks are the property of their respective owners.

About Allegion

Allegion (NYSE: ALLE) is a global pioneer in safety and security, with leading brands like CISA®, Interflex®, LCN®, Schlage®, SimonsVoss® and Von Duprin®. Focusing on security around the door and adjacent areas, Allegion produces a range of solutions for homes, businesses, schools and other institutions. Allegion is a \$2 billion company, with products sold in almost 130 countries. For more, visit www.allegion.com.

KRYPTONITE ■ LCN ■ SCHLAGE ■ STEELCRAFT ■ VON DUPRIN



© 2017 Allegion
011937, Rev. 10/17
www.allegion.com/us