



Surface mounted closer

4000T Series



Overview

The 4000T is a heavy duty closer to reliably control fire and smoke barrier doors with maximum swing of 90°. Designed for use with an SEM 7850 wall magnet.

Cylinder

4003(4)T-3071

Cast iron cylinder assembly

Handing

Non-handed

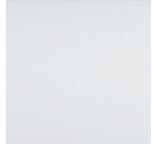
Sizing

Sized 3 or 4

- 4003T (Size 3)
- 4004T (Size 4)

Finishes

Powder coat finishes



689
Aluminum



690
Statuary Bronze



691
Light Bronze



693
Black



695
Dark Bronze



696
Brass

150+ additional custom colors available using the RAL numbering system

Metal plated finishes



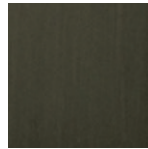
632
Bright Brass



633
Satin Brass



639
Satin Bronze



616
Satin Bronze,
Blackened



646
Satin Nickel



651
Bright Chrome



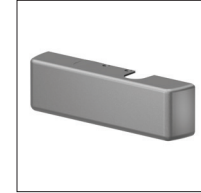
652
Satin Chrome

Available finish options

MTLPC	Brite metallic: Custom powder coat finish, which resembles that of 651 or 652 plated finish.
SRI	For installations where a higher level of protection against weather conditions, or the effects of a potentially corrosive atmosphere is required, LCN offers a special rust inhibiting (SRI) process. Ferrous metal components receive an SRI pretreatment and a standard powder coat finish of your choice, or a custom powder coat finish for a nominal additional cost. Closers treated with the SRI process exceed the 100 hour protection level available with standard LCN powder coated finishes.

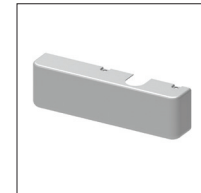
Covers

Standard cover



4000T-72
Plastic cover
■ Non-handed

Optional cover



4000T-72MC
Metal cover
■ Handed
■ Required for plated finishes and custom powder coat finishes
■ Optional

Arms



4000T-3077T

Standard arm

- Non-handed
- Roller not included with arm

Tracks



4000T-3038

Standard track

- Non-handed
- Non hold-open
- Will not accept hold-open clip or bumper assembly
- Standard



4000T-3034

Track roller

- Quiet, low friction roller assembly
- Shoulder Dimension "X" = 1/8" (3 mm)

Fasteners

Self-reaming and tapping screws included standard

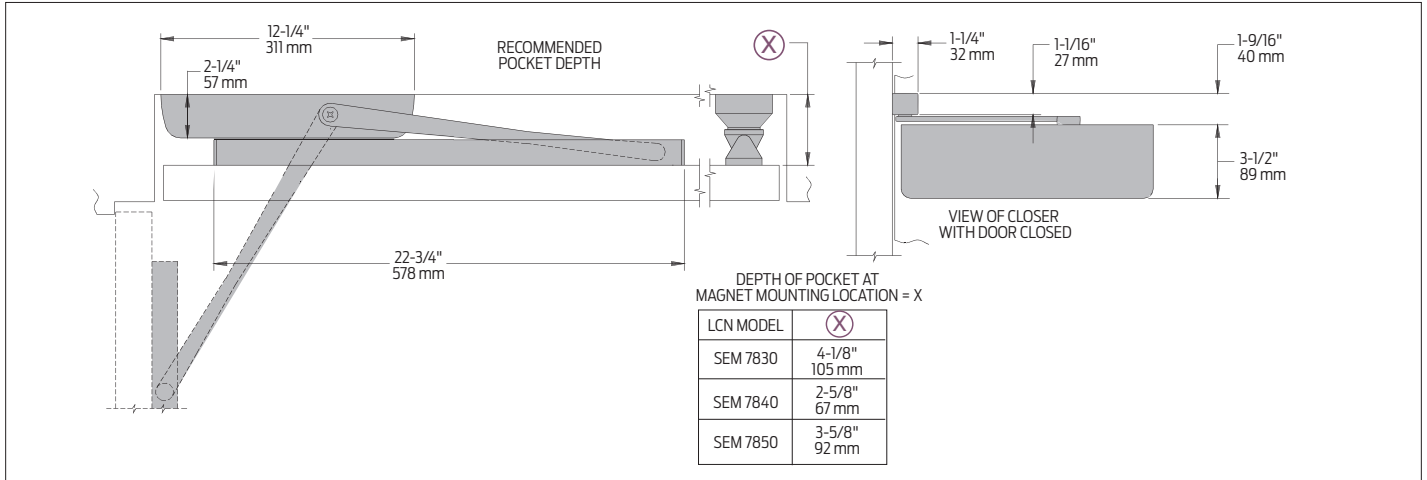
Fastener pack options

TBWMS	TB ¹ , wood and machine screw
TORX	TORX machine screw
TBTRX	TB ¹ and TORX machine screw

¹ Specify door thickness if other than 1 3/4"

Dimensions and mounting

Wall pocket mounting



Specifications

Accessibility	Available with less than 5.0 lbs. opening force on 36" door
Certifications/ approvals	<ul style="list-style-type: none"> ■ Grade 1 - ANSI A156.4 ■ UL 10C ■ Meets BAA - Buy American Act
Degree of operation	Wall pocket mount Max opening: 90° Hold open: 90° with magnet
Environmental conditions	<ul style="list-style-type: none"> ■ Approved for interior use ■ Approved for exterior use (SRI coated only) ■ LCN's standard all weather fluid performs to temperature ranges from 120°F (49°C) to -30°F (-35°C) ■ LCN's powder coat finish surpasses 100 hours of salt spray which is over four times the ANSI standard for corrosion resistance.
Warranty	30 years
Standard features	<ul style="list-style-type: none"> ■ Cast iron body ■ Full complement bearing ■ 1 1/2" diameter piston ■ 3/4" diameter double heat treated pinion journal